

No: 000126

CHRISTEN INDUSTRIES, INC.
1048 SANTA ANA VALLEY ROAD
HOLLISTER, CALIFORNIA 95023
TELEPHONE: (408) 637-7405

By: IC Date: 12-19-79 Page: 1 of 1

Applies: 907 FUSELAGE EQUIPMENT KIT

C-0002

C CHRISTEN INDUSTRIES INC.
U 1048 SANTA ANA VALLEY RD.
S HOLLISTER, CA 95023
T

Subject: Inspect 30723-501 eleva-
tor control linkage idler
arm for interference with
fuselage cross member,

There is a possibility that after assembly of the elevator control linkage as described in construction Unit B, Step 1 thru Step 23, it may not be possible to obtain the maximum up deflection of the elevator because of interference between the front idler arm and the fuselage cross member at Station 78.

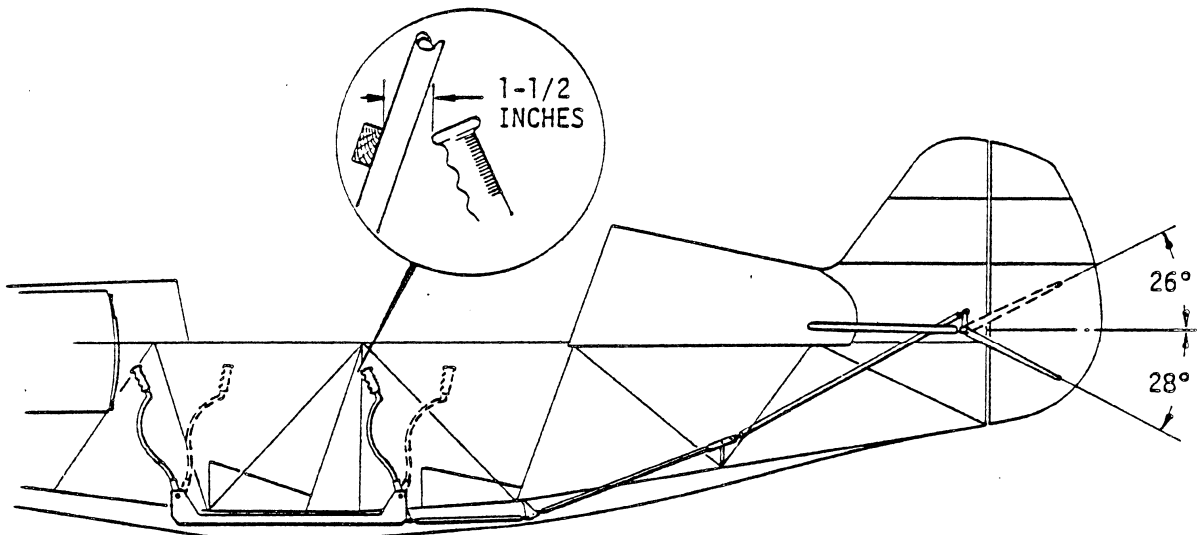
Inspect your elevator control linkage for possible interference following the procedure below.

1. Adjust the lengths of the 30713-502, 30713-503, and 30720-501 pushrods to comply with the dimensions on the enclosed Engineering Sketch X-90109.
2. Adjust the length of the 30713-506 pushrod to obtain the required maximum downward deflection of the elevator when the control stick is held forward against the elevator down stop in the position shown.
3. Pull the stick aft to raise the elevator to the required maximum upward deflection. If interference occurs between the 30723-501 front idler arm and the fuselage cross tube before the maximum upward elevator deflection is obtained, the 30723-501 idler arm should be replaced.

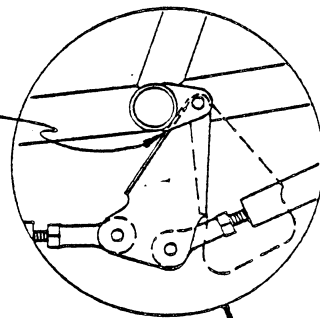
If the above described interference exists in your Eagle aircraft, please telephone the Christen factory collect to request a replacement.

Enclosures:

X-90109 Sketch



POSSIBLE AREA OF INTERFERENCE BETWEEN FRONT IDLER ARM AND FUSELAGE CROSS TUBE



ELEVATOR DOWN STOP

X INCHES

ELEVATOR UP STOP

PUSHROD 30713-503

PUSHROD 30720-501

ADJUSTABLE PUSHROD 30713-506

STA 78

PUSHROD 30713-502

X INCHES MINUS 1 INCH

20-1/2 INCHES

29-7/8 INCHES

IDLER ARM 30723-501

UNLESS OTHERWISE SPECIFIED: TOLERANCES: FRAC. $\pm 1/64$ DEC. XXX $\pm .005$ ANGLES $\pm 0^{\circ} 30'$ DIMENSIONS IN INCHES DO NOT SCALE DRAWING	MATERIAL AND CONDITION NOTED		CHRISTEN <small>CHRISTEN INDUSTRIES HOLLISTER, CALIFORNIA</small>		
	FINISH NONE				ENGINEERING SKETCH
	DRAWN BY I. CLEDE	DATE 12-18-79	PROJECT EAGLE II AIRCRAFT		TITLE ELEVATOR PUSHRODS DIMENSIONS
	APPROVED BY <i>[Signature]</i>	DATE 12-24-79	CODE	NO. X-90109	ISSUE