

No: 000145

CHRISTEN INDUSTRIES, INC.
1048 SANTA ANA VALLEY ROAD
HOLLISTER, CALIFORNIA 95023
TELEPHONE: (408) 637-7405

By: IC Date: 02-27-80 Page: 1 of 1

Send To: 906 TAIL STRUCTURES KIT

C-0002

C CHRISTEN INDUSTRIES INC.
U 1048 SANTA ANA VALLEY RD.
S HOLLISTER, CA 95023
T

Subject: 31000-001 SPLICE PLATE
ADDED TO RECONTOUR AFT
PORTION OF TURTLEDECK
COVER

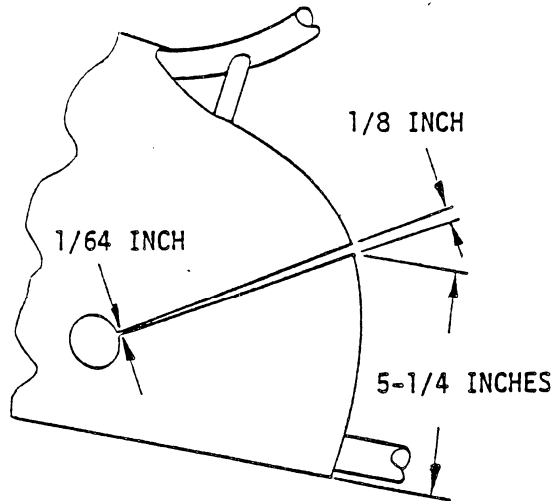
The 30874-001 turtledeck cover has been modified to conform more closely to the fuselage contour aft of the turtledeck rear bulkhead and to provide a smoother transition of the fabric covering from the turtledeck to the vertical fin.

The enclosed Engineering Sketch X-90114 illustrates the procedure for incorporating this modification to your turtledeck cover.

Telephone the Christen factory collect if you have any questions concerning the procedure. This modification will be included in the next 906 manual revision.

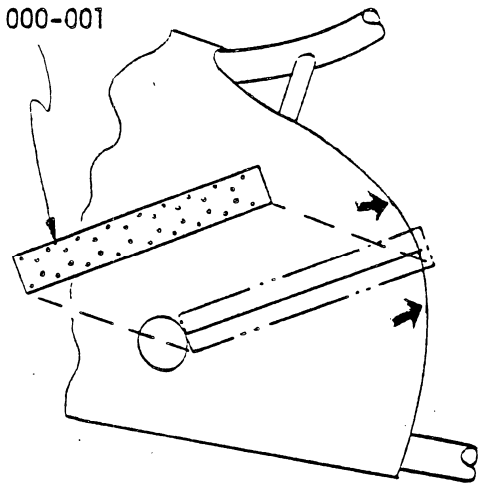
Enclosures:

2 EA 31000-001 Splice plate
70 EA 50122-103 Rivet
1 EA X-90114 Engineering Sketch

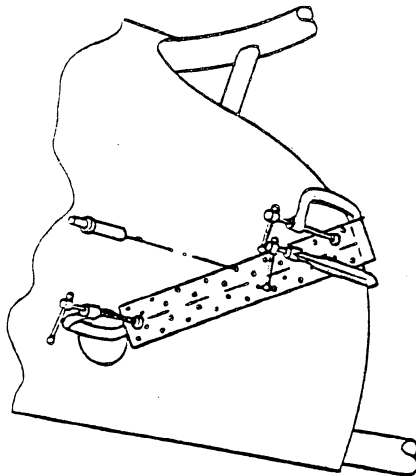


1. CUT TAPERED SLOT IN TURTLEDECK COVER.

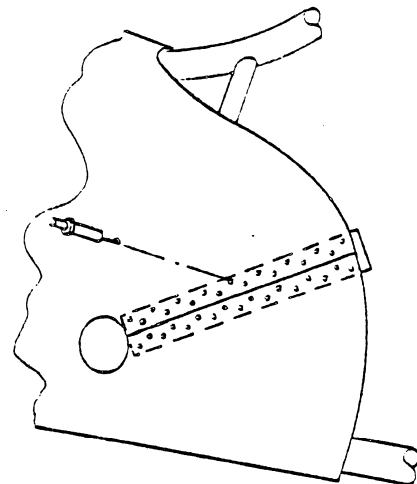
SPLICE PLATE
31000-001



2. PUSH INBOARD ON AFT EDGE OF TURTLEDECK TO CLOSE SLOT. CENTER SPLICE PLATE ON CLOSED SLOT AND CLAMP SECURELY.




3. DRILL THROUGH SPLICE PLATE PILOT HOLES WITH 3/32 INCH DIA DRILL AND PIN EACH HOLE.



4. REMOVE PIN FASTENERS, DEBURR AND PIN SPLICE PLATE INBOARD OF TURTLEDECK COVER. REDRILL EACH HOLE WITH A NO. 33 DRILL.

5. REMOVE SPLICE PLATE AND DEBURR HOLES. COUNTERSINK TURTLEDECK COVER AT 120° AND RIVET SPLICE PLATE TO COVER WITH 50122-103 RIVETS.

UNLESS OTHERWISE SPECIFIED: TOLERANCES: FRAC. $\pm 1/64$ DEC. XXX $\pm .005$ ANGLES $\pm 0^\circ 30'$ DIMENSIONS IN INCHES DO NOT SCALE DRAWING	MATERIAL AND CONDITION NOTED			CHRISTEN  <small>CHRISTEN INDUSTRIES HOLLISTER, CALIFORNIA</small>		
	FINISH NONE			ENGINEERING SKETCH		
	DRAWN BY I. CLEDE	DATE 2-28-80	PROJECT EAGLE II AIRCRAFT	TITLE TURTLEDECK MODIFICATION		
	APPROVED BY	DATE		CODE X- 90114	NO.	ISSUE