

CHRISTEN *

PRODUCT LETTER

No: 000185

CHRISTEN INDUSTRIES, INC.
1048 SANTA ANA VALLEY ROAD
HOLLISTER, CALIFORNIA 95023
TELEPHONE: (408) 637-7405

By: IC

Date: 11-04-80

Page: 1 of 1

Send To: 903 UPPER WING KIT
903-S 903-S

C-0002

C CHRISTEN INDUSTRIES INC.
U 1048 SANTA ANA VALLEY RD.
S HOLLISTER, CA 95023
T

Subject: ILLUSTRATION MISSING FROM
PAGE J-26A OF THE 903
MANUAL REVISION 13 PAGES

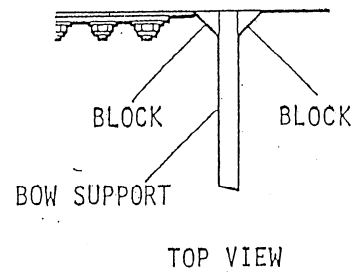
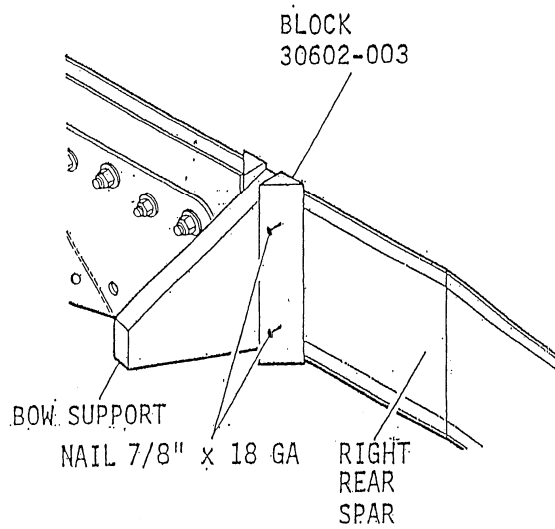
The 903 Manual Revision 13 page set which was recently mailed to Eagle builders contain an error on page J-26A. The illustration which belongs on this page was omitted in error.


A new page J-26A is being mailed to all Eagle builders to whom Revision 13 has been mailed.

Enclosures:

1 ea Page J-26A

STEP J-11 RIGHT - Placement of Outboard Bow Support Block



PRODUCT SERIES EAGLE AIRCRAFT	PRODUCT NAME UPPER WING KIT	CHRISTEN 	
PRODUCT NUMBER 903	MANUAL SECTION CENTERSECTION NOSE, SUPPORTS, & BOW	REVISION 13 10-15-80	PAGE J-26A