

No: 000304

CHRISTEN INDUSTRIES, INC.  
1048 SANTA ANA VALLEY ROAD  
HOLLISTER, CALIFORNIA 95023  
TELEPHONE: (408) 637-7405

By: FLC Date: 05-02-83 Page: 1 of 1

Send To: 911-FD FUEL DISPLAY KIT

C-0002

C CHRISTEN INDUSTRIES INC.  
U 1048 SANTA ANA VALLEY RD.  
S HOLLISTER, CA 95023  
T

Subject: CONTINUING DELAY IN  
DELIVERY OF 911-FD  
FUEL DISPLAY KIT FOR  
EAGLE II AIRCRAFT

Previous Product Letter 000296 explained the reasons for the initial delays in shipment of the subject kit, and it indicated that delivery of all kits currently on order would be completed by April 15.

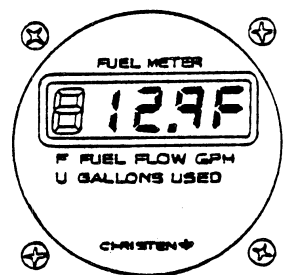
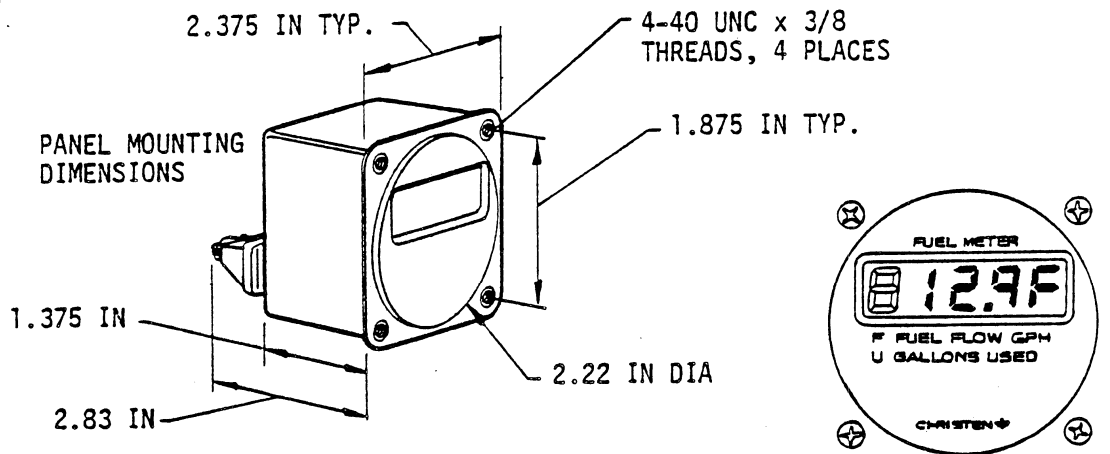
Unfortunately, we were unable to make the April deliveries as planned due to unforeseen delays in completion of the extensive text and illustrations for the 915 product manual. We now expect to complete all deliveries before May 15, and we are confident that there will be no additional delays.

We apologize again for the inordinate delay in our delivery of the 911-FD Kit, and we sincerely appreciate your patience and understanding in this matter.

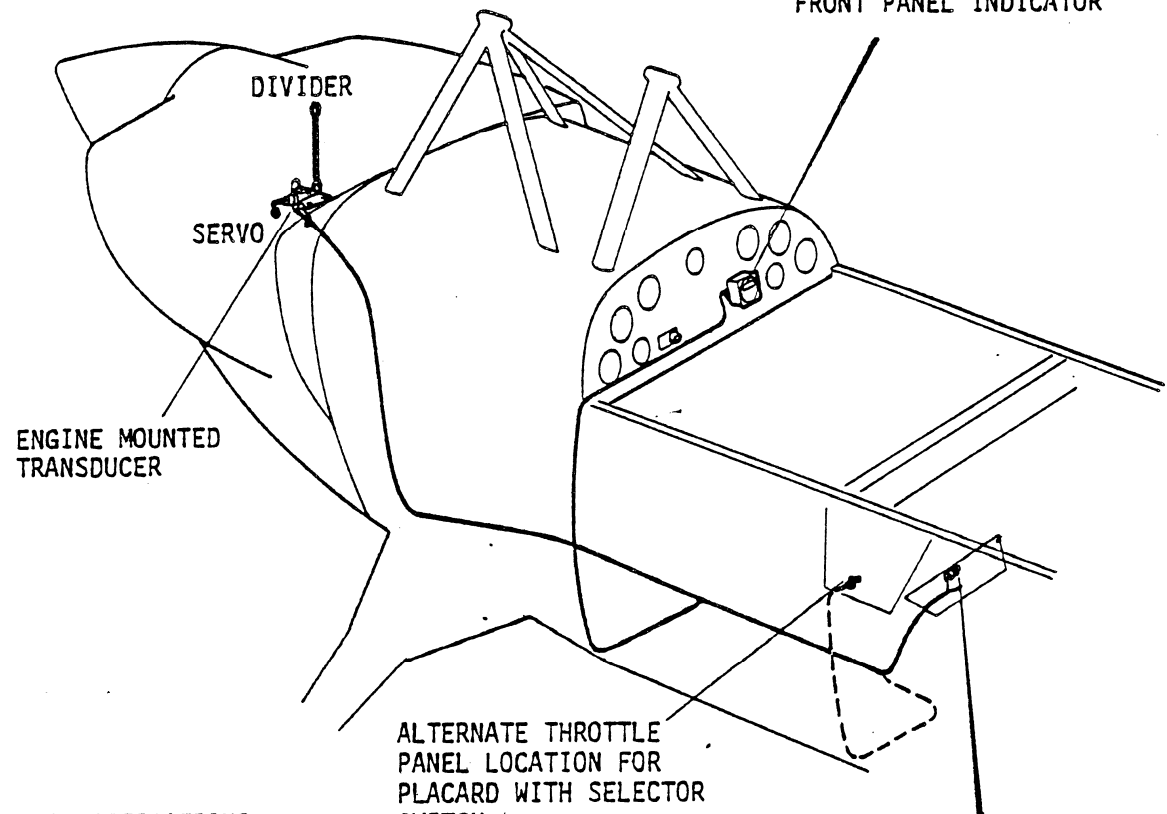
Enclosed for your reference is an updated copy of Christen Engineering Sketch X-90153 which generally depicts the fuel display system.

ENCLOSURES:

ENGINEERING SKETCH X-90153



FRONT PANEL INDICATOR



SPECIFICATIONS:

- o 14 VOLTS
- o FLOWRATE RANGE, 1.5 - 60 GPH
- o ACCURACY 2%
- o WEIGHT, 14 OUNCES

FUEL METER  
 Push: U=gal used   
 F=flow gph   
 Push & hold 3 secs to set zero

REAR PANEL PLACARD WITH SELECTOR SWITCH LOCATED ON ELECTRICAL PANEL

UNLESS OTHERWISE SPECIFIED:  TOLERANCES: FRAC. ± 1/64 DEC. XXX ± .005 ANGLES ± 0° 30'  DIMENSIONS IN INCHES DO NOT SCALE DRAWING	MATERIAL AND CONDITION			CHRISTEN INDUSTRIES HOLLISTER, CALIFORNIA	
	NOTED				<b>ENGINEERING SKETCH</b>
	FINISH			TITLE	
	NONE			911-FD FUEL DISPLAY KIT	
DRAWN BY	DATE	PROJECT	CODE	NO.	ISSUE
I. CLEDE	11-1-82	EAGLE II AIRCRAFT	PA	X- 90153	A
APPROVED BY	DATE				