

CHRISTEN *

PRODUCT LETTER

No: 000307

CHRISTEN INDUSTRIES, INC.
1048 SANTA ANA VALLEY ROAD
HOLLISTER, CALIFORNIA 95023
TELEPHONE: (408) 637-7405

By: FLC Date: 05-10-83 Page: 1 of 1

Send To: PRODUCTS 901 THRU 925

C ** AFFIX LABEL HERE **
U
S
T

Subject: NEW DIGITAL CHRONOMETER
SYSTEM AVAILABLE FOR
EAGLE II AIRCRAFT

A sophisticated electronic chronometer system has been developed as an option for the Eagle II aircraft. The enclosed copy of Engineering Sketch X-90156 depicts the system components and installation.

The chronometer indicator matches the indicator in the 911-FD Fuel Display System introduced recently, and it features the same high-quality liquid crystal digital display. The chronometer is set and controlled from either the front or rear cockpit with two pushbutton switches which display on the indicator 24-hour Greenwich Mean Time (GMT), 12-hour local time, or elapsed time in either count-up or count-down mode. The chronometer normally is used in place of the mechanical clock supplied as a standard part of the Eagle II aircraft 911 Instruments Kit.

The quartz crystal time base circuit in the chronometer is operated by a standard 1.5 volt AA penlight battery which will last for two years and which snaps onto the back of the indicator unit without the use of tools. The complete system weighs less than 14 ounces and it can be installed in less than two hours.

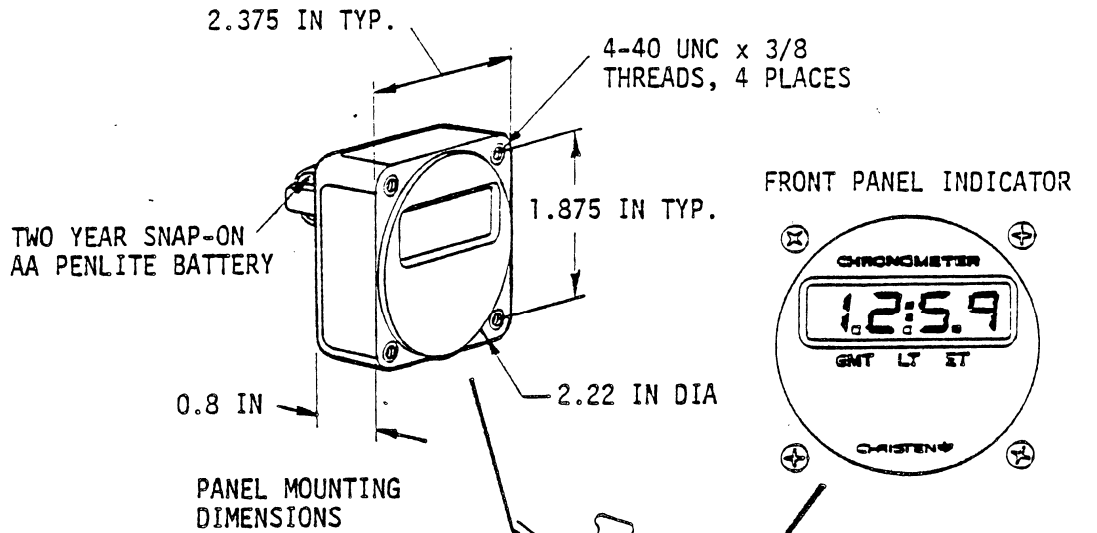
Delivery of 911-CH Kits will begin in July, and orders are now being accepted at the following prices:

911-CH CHRONOMETER KIT, COMPLETE
911-CH CRATING CHARGE

Shipment of the 911-CH Kit is made via UPS freight collect. As with other Eagle II kits, payment is required with order via personal check, money order, or bank credit card.

ENCLOSURE:

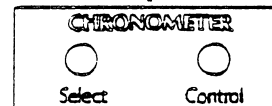
ENGINEERING SKETCH X-90156



ALTERNATE THROTTLE
PANEL LOCATION FOR
PLACARD WITH
SWITCHES

SPECIFICATIONS:

- GMT TIME: 24 HOUR FORMAT
- LOCAL TIME: 12 HOUR FORMAT
- ELAPSED TIME COUNT UP: STARTS IN MINUTES AND SECONDS, THEN HOURS AND MINUTES UP TO 99:59 HOURS.
- ELAPSED TIME COUNTDOWN: SETTABLE FROM ONE SECOND TO 59 MINUTES AND 59 SECONDS



REAR PANEL PLACARD WITH SELECTOR
SWITCHES LOCATED ON ELECTRICAL
PANEL

UNLESS OTHERWISE SPECIFIED: TOLERANCES: FRAC. = 1/64 DEC. XXX = .005 ANGLES = 0° 30' DIMENSIONS IN INCHES DO NOT SCALE DRAWING	MATERIAL AND CONDITION NOTED			CHRISTEN <small>CHRISTEN INDUSTRIES HOLLISTER, CALIFORNIA</small>		
	FINISH NONE			ENGINEERING SKETCH		
	DRAWN BY I. CLEDE	DATE 11-1-82	PROJECT EAGLE II AIRCRAFT	TITLE DIGITAL CHRONOMETER		
	APPROVED BY 	DATE 11-3-82		CODE PA	NO. X- 90156	ISSUE A