

No: 000341

CHRISTEN INDUSTRIES, INC.  
 1048 SANTA ANA VALLEY ROAD  
 HOLLISTER, CALIFORNIA 95023  
 TELEPHONE: (408) 637-7405

By: FLC Date: 12-28-83 Page: 1 of 1

Send To: PRODUCTS 901 THRU 925

000341 901 0000  
 C CHRISTEN INDUSTRIES INC.  
 U 1048 SANTA ANA VALLEY RD.  
 S HOLLISTER, CA 95023  
 T

Subject: ACCESS DOORS AVAILABLE  
 FOR EAGLE II AIRCRAFT

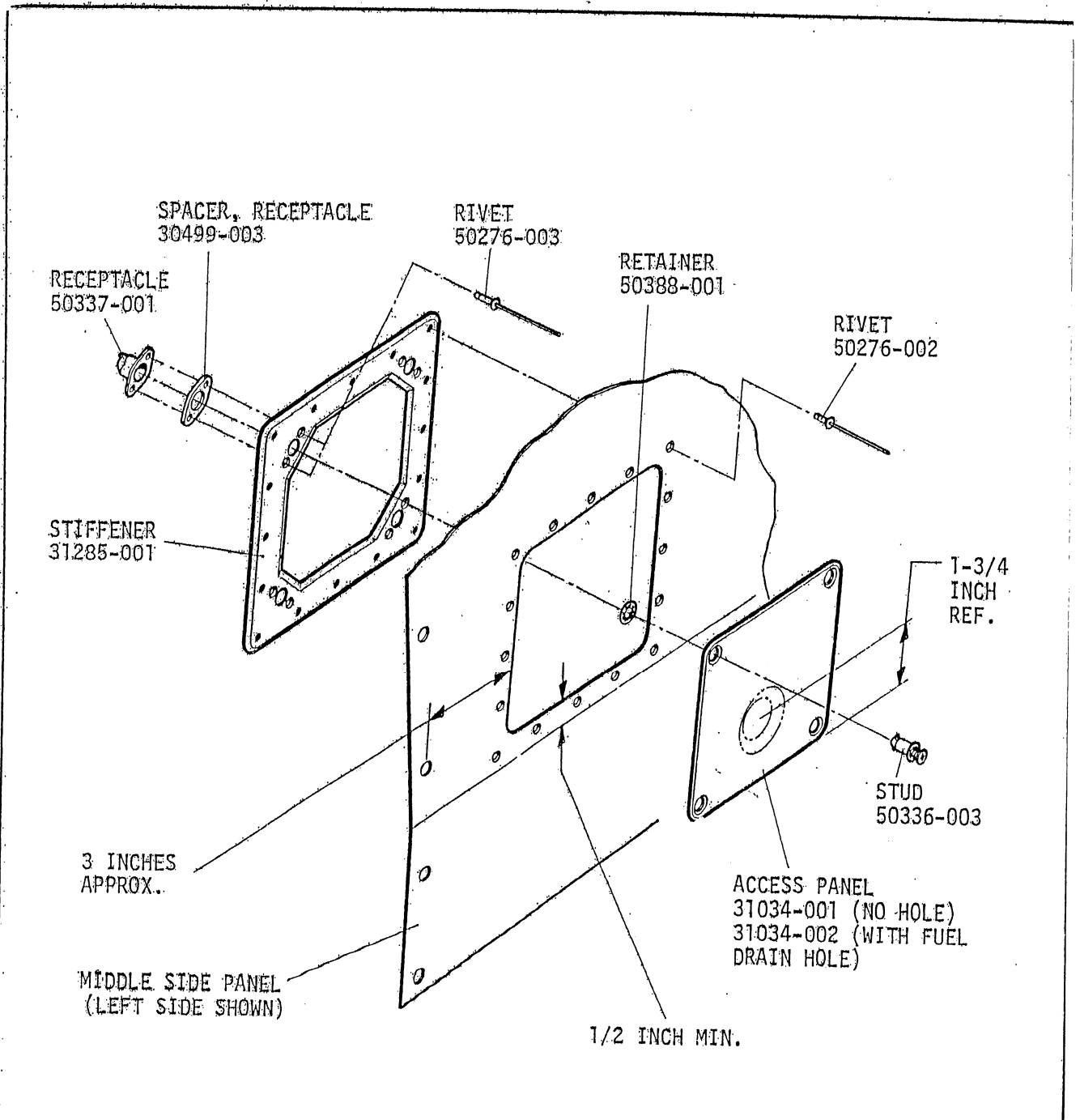
Quick release access doors have been developed for the Eagle II aircraft. These doors are mounted on the side panels of the aircraft for convenient access to the brake cylinder reservoirs, and on the bottom panel for access to the fuel filter. The bottom panel door has a reinforced central hole to clear the fuel drain valve which projects from the manual fuel pump.

The doors are composed of a panel stiffener which is mounted with flush rivets on the fuselage panel and a door which attaches to the stiffener with quick-release Cam-Loc brand 1/4-turn fasteners. Installation of the door is depicted in the enclosed Engineering Sketch X-90177.

Three access doors will be included as a part of the Eagle II aircraft 914 Fuselage Panels Kit at a future time. In the interim, Eagle II builders may order the doors for aircraft which are either under construction or which are finished and flying. Following are the parts required for the three complete door installations on an Eagle II aircraft:


PART NO.	DESCRIPTION	UNIT	QTY REQ
30499-003	SPACER, RECEPTACLE	EA	12
31034-001	PANEL, ACCESS (LESS HOLE)	EA	2
31034-002	PANEL, ACCESS (WITH HOLE)	EA	1
31285-001	STIFFENER, PNAEL ACCESS	EA	3
50276-002	RIVET, NUTPLATE	EA	60
50276-003	RIVET, NUTPLATE	EA	30
50336-003	STUD, 1/4 TURN FASTENER	EA	12
50337-001	RECEPTACLE, FASTENER	EA	12
50338-001	WASHER, FASTENER RETAINER	EA	12

ENCLOSURE: ENGINEERING SKETCH X-90177



**NOTE:**

FIT ACCESS PANEL TO REAR BOTTOM FUSELAGE PANEL SO THAT HOLE IN ACCESS PANEL IS CENTRALIZED ON AUX FUEL PUMP DRAIN FITTING.

UNLESS OTHERWISE SPECIFIED:  TOLERANCES: FRAC. ± 1/64 DEC. XXX ± .005 ANGLES ± 0° 30'  DIMENSIONS IN INCHES  DO NOT SCALE DRAWING	MATERIAL AND CONDITION		 CHRISTEN INDUSTRIES HOLLISTER, CALIFORNIA		
	NONE				ENGINEERING SKETCH
	FINISH		TITLE		
	NONE		ACCESS DOOR		
DRAWN BY	DATE	PROJECT	CODE	NO.	ISSUE
I. CLEDE	10-21-83	EAGLE II AIRCRAFT	PA	X- 90177	D
APPROVED BY	DATE				
<i>[Signature]</i>	10-21-83				

CHRISTEN 8-009

MATL STORES REF: 70209-001