

CHRISTEN INDUSTRIES, INC.
1048 SANTA ANA VALLEY ROAD
HOLLISTER, CALIFORNIA 95023
TELEPHONE: (408) 637-7405

By: FLC

Date: 07-23-84

No: 000362

Page: 1 of 1

Send To: 901 AILERONS KIT

F-0132
C W. VAN FRANCA
U ROUTE 11, BOX 1067
S LAKE CHARLES, LA 70611
T

Subject: AILERON BRACES OMITTED
FROM EAGLE II AIRCRAFT
901 AILERONS KIT

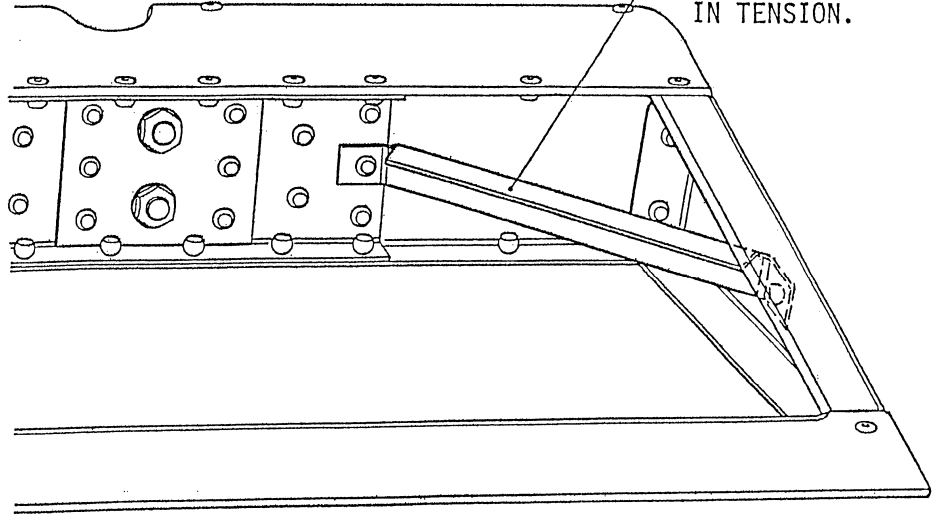
Previous Christen Product Letter 356 dated 02-02-84 described replacement of the original 30616-001 braces in the Eagle II ailerons with the new 31375-001 braces. It was explained that the new braces would be supplied in all future 901 Ailerons Kits beginning with Serial 0563. Eagle builders with earlier kits were advised that the new parts can be purchased for retrofit installation. Enclosed for your reference is a copy of Product Letter 356.

Due to a packaging error, the new aileron parts and the associated product manual pages describing their installation were omitted from 901 Ailerons Kits Serial 0563 through 0570. Our records indicate that one of the kits in this series was sent to you.

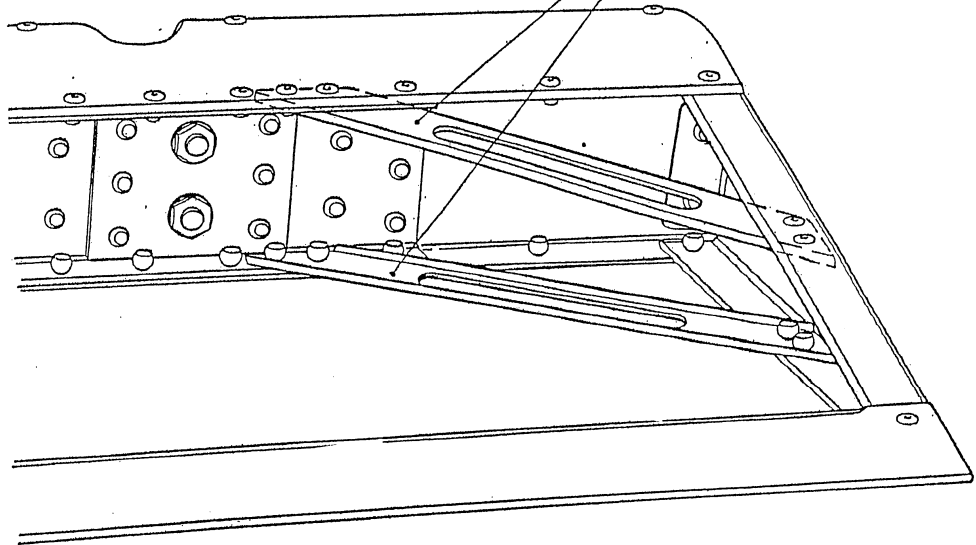
The missing aileron parts and product manual pages are enclosed for your use. We apologize for this error and we hope that it will not cause you inconvenience in your Eagle II aircraft construction project.


Enclosures: 31375-001 BRACE, AILERON 16 EA
50122-002 RIVET, BLIND OPEN END 70 EA
901-M PRODUCT MANUAL PAGES:
A-34A THROUGH A-34D
A-42A THROUGH A-42D
COPY OF PRODUCT LETTER 356
COPY OF ENG SKETCH X-90175

ORIGINAL 30616-001 BRACE
WITH ATTACHMENT RIVETS
IN TENSION.



NEW 31375-001 BRACES
WITH ATTACHMENT RIVETS
IN SHEAR.



UNLESS OTHERWISE SPECIFIED: TOLERANCES: FRAC. \pm 1/64 DEC. XXX \pm .005 ANGLES \pm 0° 30' DIMENSIONS IN INCHES DO NOT SCALE DRAWING	MATERIAL AND CONDITION			 CHRISTEN INDUSTRIES HOLLISTER, CALIFORNIA		
	NONE					
	FINISH			TITLE		
	NONE			AILERON BRACES		
DRAWN BY	DATE	PROJECT	CODE	NO.	ISSUE	
I. CLEDE	10-18-83	EAGLE II AIRCRAFT	PA	X-90175		
APPROVED BY	DATE					
<i>[Signature]</i>	10-18-83					