

CHRISTEN \*

PRODUCT LETTER

CHRISTEN INDUSTRIES, INC.  
1048 SANTA ANA VALLEY ROAD  
HOLLISTER, CALIFORNIA 95023  
TELEPHONE: (408) 637-7405

By: FLC      Date: 12-04-84      Page: 1 of 1

No: 000366

Send To: 903-S UPPER WING KIT-LESS RIBS

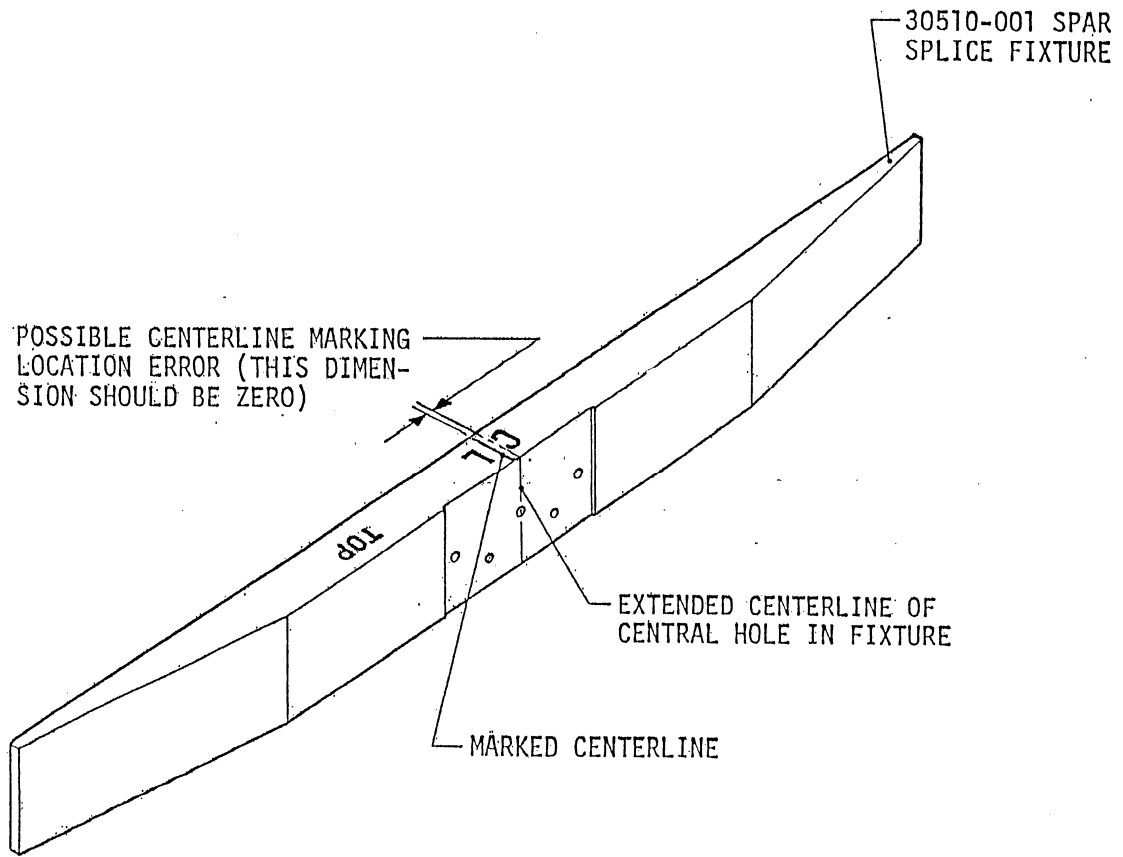
C      000366      903      0000  
U      CHRISTEN INDUSTRIES INC.  
S      1048 SANTA ANA VALLEY RD.  
T      HOLLISTER, CA 95023

Subject: CENTERLINE MARKS ON  
30510-001 SPAR SPLICE  
FIXTURE USE IN CONSTRU-  
TION OF EAGLE II AIRCRAFT

Due to a manufacturing error, there is a possibility that the centerline is located off center on the top of the 30510-001 Spar Splice Fixture supplied in your 903 or 903-S Upper Wing Kit. The enclosed copy of Engineering Sketch X-90204 illustrates the possible marking error.

The centerline on the top of the fixture should coincide with the extended centerline of the central hole in the fixture. If the centerline on your fixture is not in this location, remove it by sanding lightly with fine sandpaper and carefully remark the line in the proper position with a felt tip pen.

ENCLOSURE:    ENGINEERING SKETCH X-90204



UNLESS OTHERWISE SPECIFIED:  TOLERANCES: FRAC. $\pm 1/64$ DEC. XXX $\pm .005$ ANGLES $\pm 0^{\circ} 30'$  DIMENSIONS IN INCHES  DO NOT SCALE DRAWING	MATERIAL AND CONDITION			<b>CHRISTEN</b> <small>CHRISTEN INDUSTRIES HOLLISTER, CALIFORNIA</small>	
	NOTED				ENGINEERING SKETCH
	FINISH			TITLE	
	NONE			SPLICE FIXTURE MARKING	
DRAWN BY	DATE	PROJECT	CODE	No.	ISSUE
I. CLEDE	11-1-84	EAGLE II AIRCRAFT	PP	X- 90204	
APPROVED BY	DATE				
<i>[Signature]</i>	11-1-84				