



Light Aircraft Manufacturers

The Airport - Box 1149

South Washington Street

Afton, Wyoming 83110

Tel: (307) 886 3151

Fax: (307) 886 9674

PRODUCT LETTER

EAGLE II

DATE: October 1993

No. 000371

SUBJECT:

Control Stick Hand Grips, P/N 30942-501

MODELS AFFECTED:

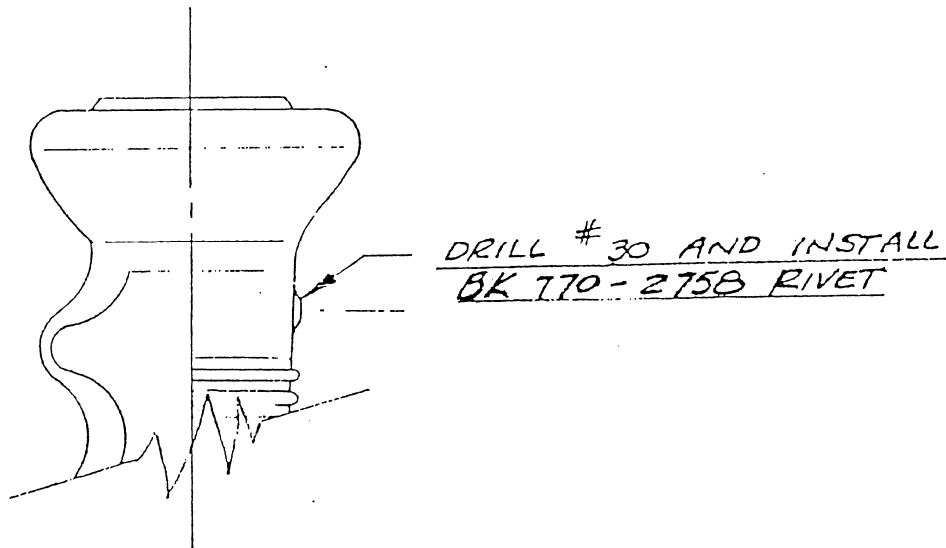
All Eagle II

TIME OF COMPLIANCE:

At owner's earliest convenience

Some owner's have found that the Adhesive, P/N 50073-003 (Loctite RC/609) retaining compound used on the installation of the hand grip to control stick does not always guarantee a secure bond. (Reference 907 Fuselage Equipment Kit Manual, Page A-28, Step A-16.) This may result in the stick grip, under certain circumstances, loosening and sliding up the control stick.

For this reason Aviat is recommending that all Eagle owners with Christen stick grips, P/N 30942-501, installed add a pop rivet (BK770-2758 or equivalent) to their control stick grip installation as shown below.



For those unable to obtain a suitable rivet locally, a rivet may be obtained free of charge by contacting Aviat Inc., Afton, Wyoming.