

# ***Service Bulletin***

Date: 1-03-2002

Service Bulletin No. 13  
Engineering Aspects are FAA Approved

Revision: N/C

Subject: Kit No. A-1-538 Stabilizer Strut Retrofit for Husky A-1 Increased Gross Weight to 1890 lb.

Models Affected: A-1 Husky S/N 1001-1394

Aviat Aircraft kit No. A-1 538 is available for installation on the Husky A-1 in order to increase the gross weight by five percent to 1890 lb. The kit consists of the following components.

Description	Necessary Quantity	Part Number
Stabilizer Strut Assembly	2	36250-501
Bushing	2	36004-003
eye-bolt	2	AN43-14A
self-locking nut	4	AN365-428
bolt	2	AN4-7
flat washer	6	AN960-416
check nut	2	AN316-4R
turnbuckle fork	2	AN161-32RS

## Installation Instructions

1. Remove the original stabilizer struts and associated hardware from aircraft.
2. Remove fabric as needed to allow access for welding of the bushing in the forward edge of the stabilizer
3. Drill out the existing bushing from the stabilizer assembly using progressively larger drill bits until bushing is eliminated. Drill hole in stabilizer to 0.375" +0.005/-0, diameter. This 0.375" hole should be perpendicular to the stabilizer plane. Install 36004-003 bushing in stabilizer per print. Weld per AC 43.13, Chapter 2, Section 2, Paragraph 68.
4. Patch and finish fabric per AC 43.13, Chapter 3, sections 1 and 2.
5. Drill the eye of the AN 43-14A eye bolt to 0.25" +0.005/-0 dia.

6. Assemble 36250-501 stabilizer strut and hardware as shown in Detail-A.

To install the 36250-501 stabilizer strut and hardware in place of the original equipment, slide the AN43-14A eye bolt through the 36004-003 bushing in the stabilizer and secure it using the AN365-428 nut as shown in Detail-B. Secure the lower end of the strut to the strut attach bracket using the original hardware as shown in Detail-C.

7. When installing the 36250-001 stabilizer strut, check that the dihedral of the stabilizer planform is zero. If rigging is required, you may adjust the strut assembly length at the threads of the turnbuckle fork. The turnbuckle fork should always be visible in the witness hole of the strut assembly.

In Addition to the components listed above, a new airspeed indicator, Aviat part number 81714, and a placard, Aviat part number 81957, must also be installed.

The Aircraft Flight Manual should be replaced with the Husky A-1 updated manual with the cover page reading "When Service Bulletin #13 is Installed Gross Weight Increased to 1890 lbs."

## INSTALLATION INSTRUCTIONS

672 South Washington

KIT NO. A-1-538

P. O. Box 1240

Afton, WY 83110

STABILIZER STRUT RETROFIT FOR INCREASED  
GROSS WEIGHT TO 1890#

307-886-3151

facsimile: 307-886-9674

e-mail: AVIAT@sisna.com

MODELS AFFECTED: A-1 HUSKY

DATE: 6-14-97

Engineering Aspects are FAA approved

### I. Introduction:

The purpose of these instructions is to allow the retrofit of the 36250-501 stabilizer strut assembly in place of the original equipment. The fitting of the 36250-501 is part of the required component to allow a gross weight increase of 5% (1890 lb.)

### II. Inventory Parts List:

NO. REQ.	PART NUMBER	DESCRIPTION
2	36250-501	STABILIZER STRUT ASSEMBLY
2	36004-003	BUSHING
2	AN43-14A	EYE BOLT
4	AN365-428	NUT, SELF LOCKING
2	AN4-7	BOLT
6	AN960-416	WASHER, FLAT
2	AN316-4R	NUT, CHECK
2	AN161-32RS	TURNBUCKLE FORK

### III. Installation Instructions:

1. Remove original stabilizer struts and associated hardware from aircraft.
2. Remove fabric as needed to allow access for welding of the bushing in the forward edge of the stabilizer.
3. Drill out existing bushing from stabilizer assembly using progressively larger drill bits until bushing is eliminated. Drill hole in stabilizer to 3/8" +.005, -0, diameter. This 3/8" hole should be perpendicular to the stabilizer plane. Install 36004-003 bushing in stabilizer per print. Weld per AC 43.13, Chapter 2, Section 2, Paragraph 68.
4. Patch and finish fabric per AC 43.13, Chapter 3, Sections 1 and 2.
5. Drill the eye of the AN43-14A eye bolt to 1/4", +.005 -0, diameter.

6. Assemble 36250-501 stabilizer strut and hardware as shown in Detail A.

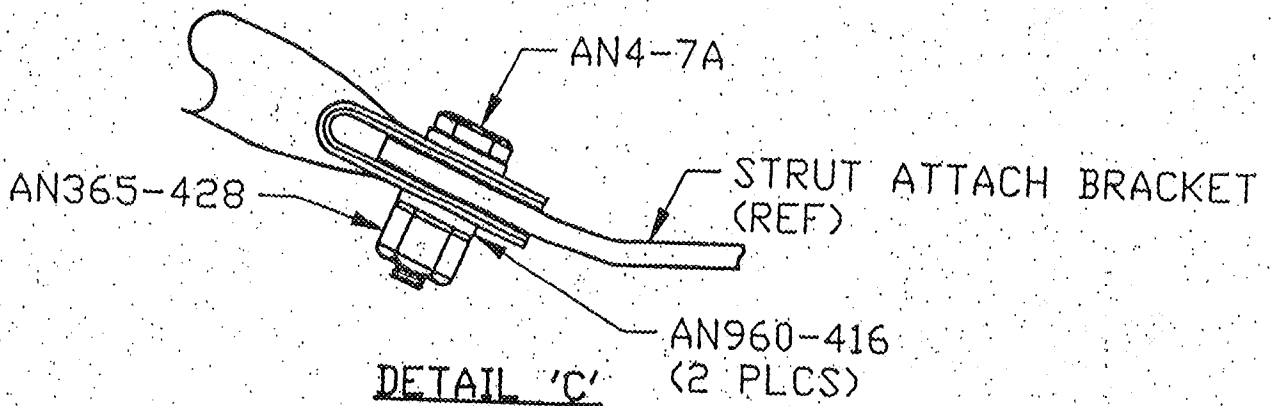
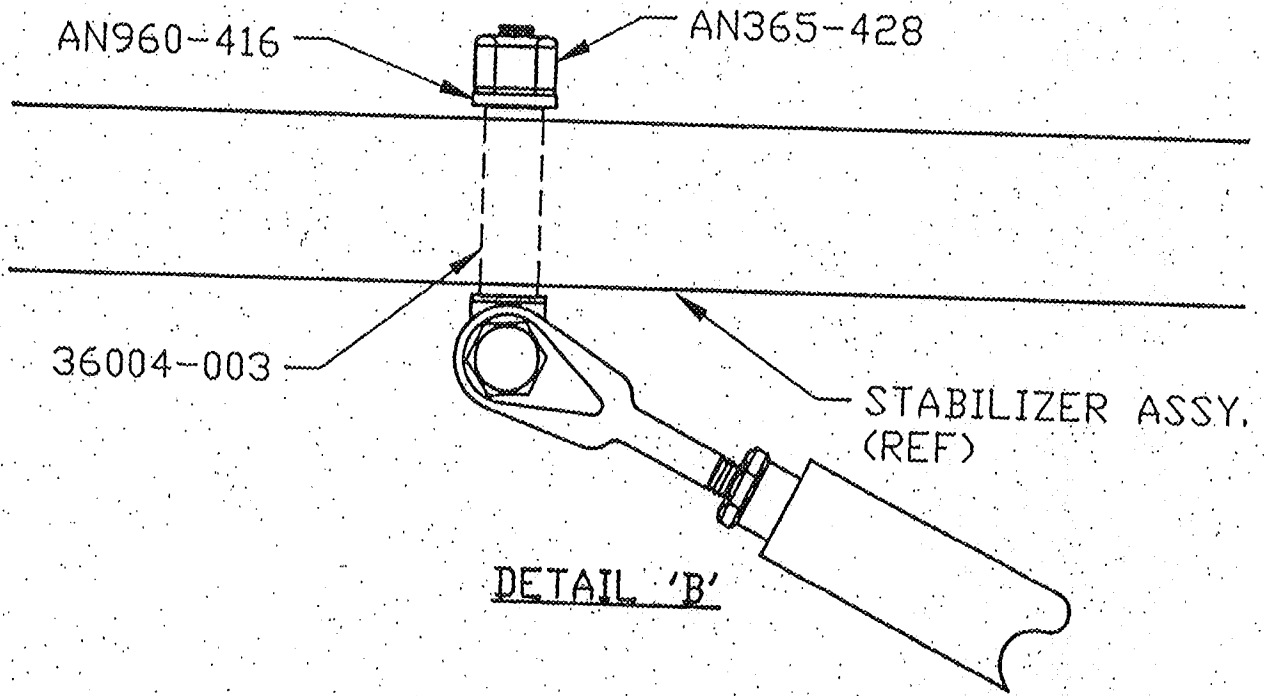
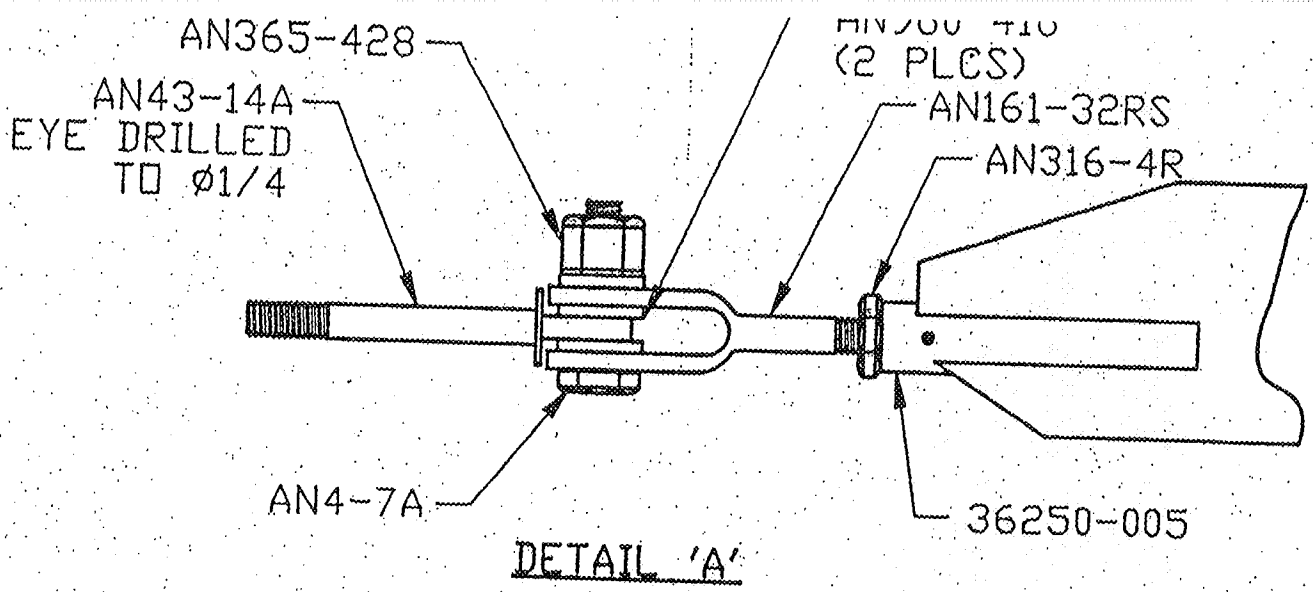
To install the 36250-501 stabilizer strut and hardware in place of the original equipment. Slide the AN43-14A eye bolt through the 36004-003 bushing in the stabilizer and secure it using the AN365-428 nut as shown in Detail B. Secure the lower end of the strut to the strut attach bracket using the original hardware as shown in Detail C.

7. When installing the 36250-001 stabilizer strut, check that the dihedral of the stabilizer planform is zero. If rigging is required you may adjust the strut assembly length at the threads of the turnbuckle fork. The turnbuckle fork should always be visible in the witness hole of the strut assembly.

8. Make appropriate notations in Aircraft Maintenance Records. Fill out sheet 4 of these instructions and return to Aviat Aircraft Inc.

#### IV. Weight and Balance

Weight: +1.72 lbs. at FS 232.5



COMPLIANCE LETTER

This is to certify that I have installed the 36250-501 stabilizer strut assembly, in place of the original equipment, in accord with Installation Instructions A-1-538 on Aircraft Serial Number \_\_\_\_\_, Registration \_\_\_\_\_.

Aircraft Total Time \_\_\_\_\_ hours.

Signed \_\_\_\_\_

Date \_\_\_\_\_

Return to: Chief Engineer  
Aviat Aircraft Inc.  
PO Box 1240  
Afton, WY 83110  
FAX: (307) 886-9674